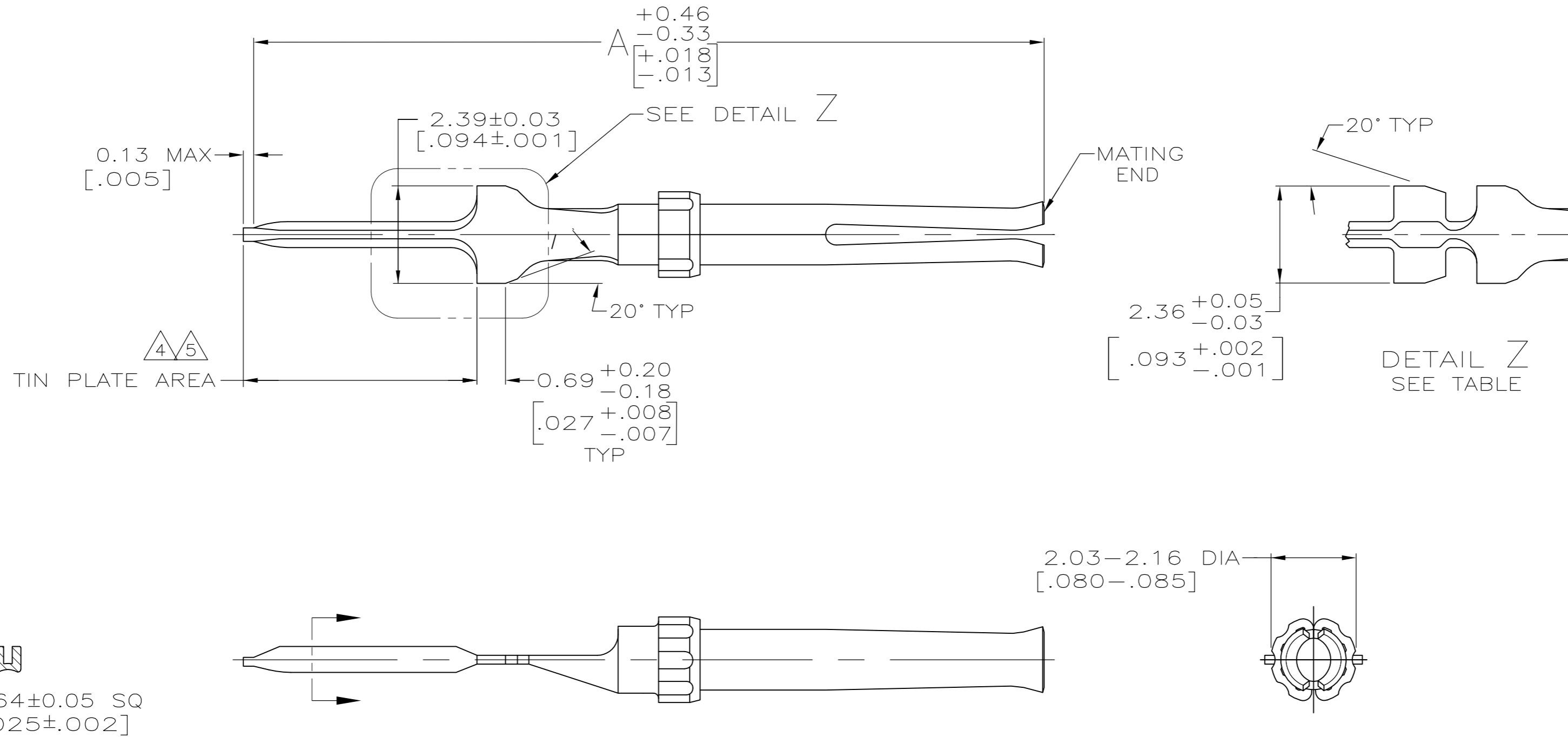


THIS DRAWING IS UNPUBLISHED. RELEASED FOR PUBLICATION  
 © COPYRIGHT - By - ALL RIGHTS RESERVED.

LOC		DIST		REVISIONS			
P	LTR	DESCRIPTION	DATE	DWN	APVD		
GP	00	M	REVISED PER ECO-12-021105	27DEC2012	CJV	SLB	



- FOR MATING CONTACT SEE DRAWING 745287.
- TO BE USED FOR REPLACEMENT ONLY.
- PLATED GOLD FLASH FOR LENGTH OF 2.54 [.100] MIN FROM MATING END, 2.54μm [.000100] MIN TIN ON TIN PLATE AREA, ALL OVER 1.27μm [.000050] MIN NICKEL.
- PLATED GOLD FLASH FOR LENGTH OF 2.54 [.100] MIN FROM MATING END 2.54μm [.000100] MIN TIN-LEAD ON TIN PLATE AREA, ALL OVER 1.27μm [.000050] MIN NICKEL.
- PLATED 0.76μm [.000030] GOLD FOR LENGTH OF 2.54 [.100] MIN FROM MATING END, 2.54μm [.000100] MIN TIN-LEAD ON TIN PLATE AREA, ALL OVER 1.27μm [.000050] MIN NICKEL.
- GOLD PLATED AS FOLLOWS:  
 PLATED WITH 0.76μm [.000030] GOLD FOR A LENGTH OF 2.54 [.100] MIN FROM MATING END, 2.54μm [.000100] MIN TIN ON TIN PLATE AREA, ALL OVER 1.27μm [.000050] MIN NICKEL.  
 OR  
 GOLD FLASH OVER PALLADIUM-NICKEL PLATE, 0.76μm [.000030] MIN TOTAL FOR A LENGTH OF 2.54 [.100] MIN FROM MATING END, 2.54μm [.000100] MIN TIN ON TIN PLATE AREA, ALL OVER 1.27μm [.000050] MIN NICKEL.
- MATERIAL: PHOSPHOR BRONZE.

	PER DETAIL Z	26.92 [1.060]	3	7-745288-2
OBSOLETE	AS SHOWN	30.15 [1.187]	6	7-745288-0
	PER DETAIL Z	32.56 [1.282]	6	6-745288-1
	PER DETAIL Z	26.92 [1.060]	6	5-745288-8
	AS SHOWN	19.30 [.760]	6	5-745288-5
OBSOLETE	AS SHOWN	30.15 [1.187]	5	4-745288-4
OBSOLETE	AS SHOWN	21.16 [.833]	5	2-745288-0
OBSOLETE	AS SHOWN	21.16 [.833]	4	1-745288-8
OBSOLETE	PER DETAIL Z	32.56 [1.282]	5	1-745288-2
OBSOLETE	PER DETAIL Z	32.56 [1.282]	4	1-745288-0
OBSOLETE	PER DETAIL Z	26.92 [1.060]	5	745288-8
OBSOLETE	PER DETAIL Z	26.92 [1.060]	4	745288-6
OBSOLETE	AS SHOWN	19.30 [.760]	5	745288-4
OBSOLETE	AS SHOWN	19.30 [.760]	4	745288-2
	RETENTION TINES	A	FINISH	PART NO

THIS DRAWING IS A CONTROLLED DOCUMENT. DIMENSIONING AND TOLERANCING PER ASME Y14.5M-2009

DIMENSIONS: mm [INCHES]	TOLERANCES UNLESS OTHERWISE SPECIFIED:	DWN R.SHIREY 29 JAN 91	TE Connectivity	
	0 PLC ± -	CHK J.MCCLINTON 06 FEB 91	SOCKET CONTACT, SIZE 20 DF, AMPLIMITE	
	1 PLC ± -	APVD -	SIZE A2	CAGE CODE 00779
	2 PLC ± 0.13 [.005]	PRODUCT SPEC -	DRAWING NO C=745288	RESTRICTED TO -
	3 PLC ± -	APPLICATION SPEC -	SCALE 10:1	SHEET 1 OF 1
	4 PLC ± -	WEIGHT -	REV M	
	ANGLES ± -	CUSTOMER DRAWING		
MATERIAL 7	FINISH 3 4 5 6			